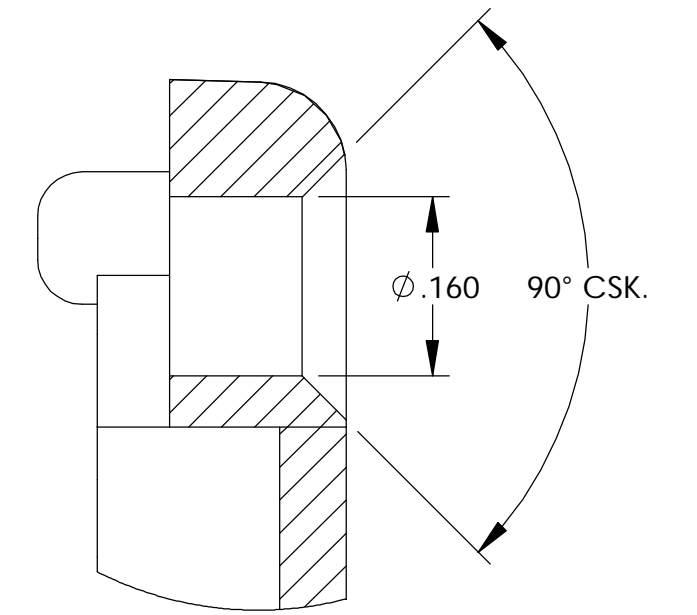
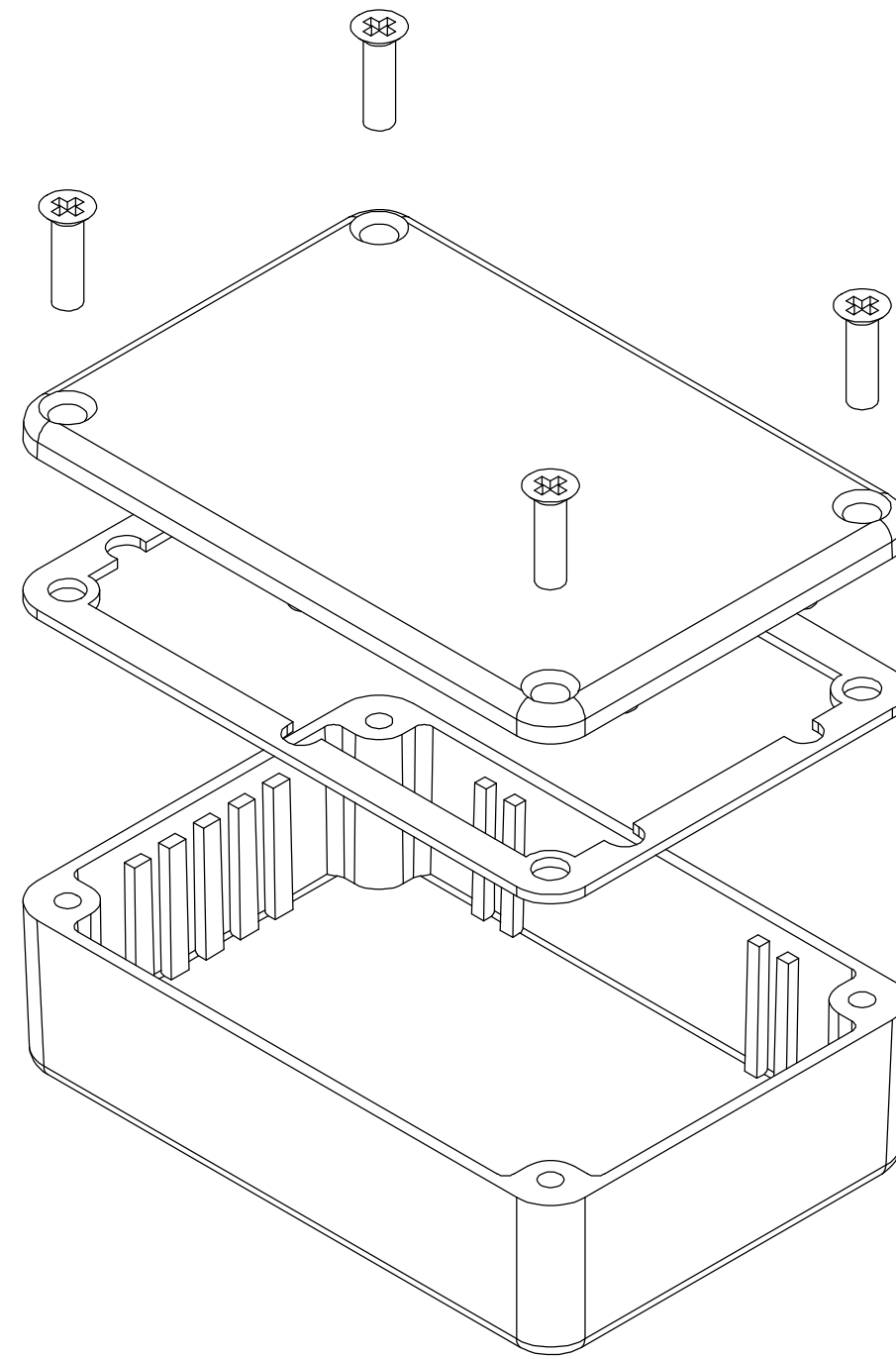


THE INFORMATION CONTAINED IN THIS DRAWING IS THE SOLE PROPERTY OF BUD INDUSTRIES INC. ANY REPRODUCTION IN PART OR WHOLE WITHOUT THE WRITTEN PERMISSION OF BUD INDUSTRIES INC. IS PROHIBITED.

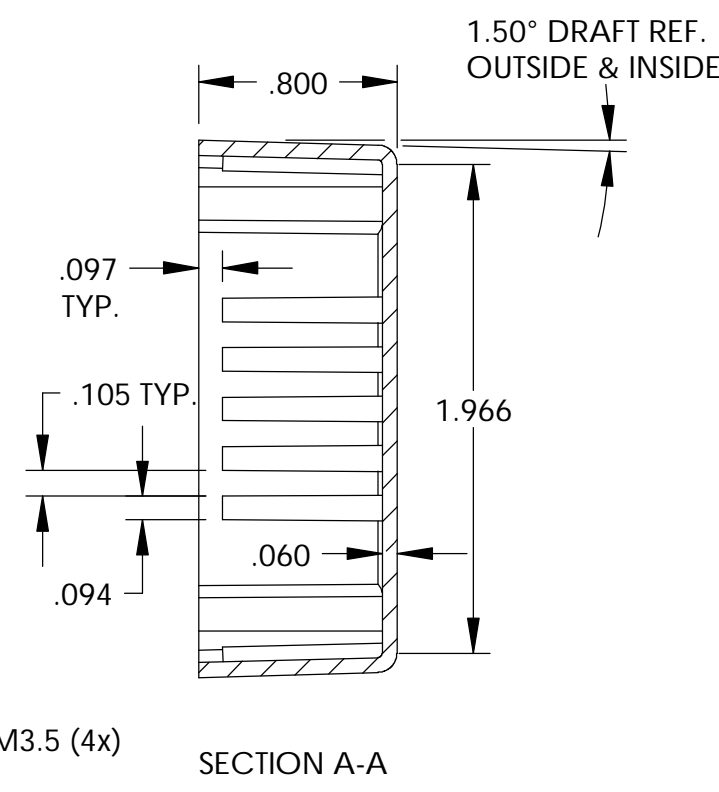
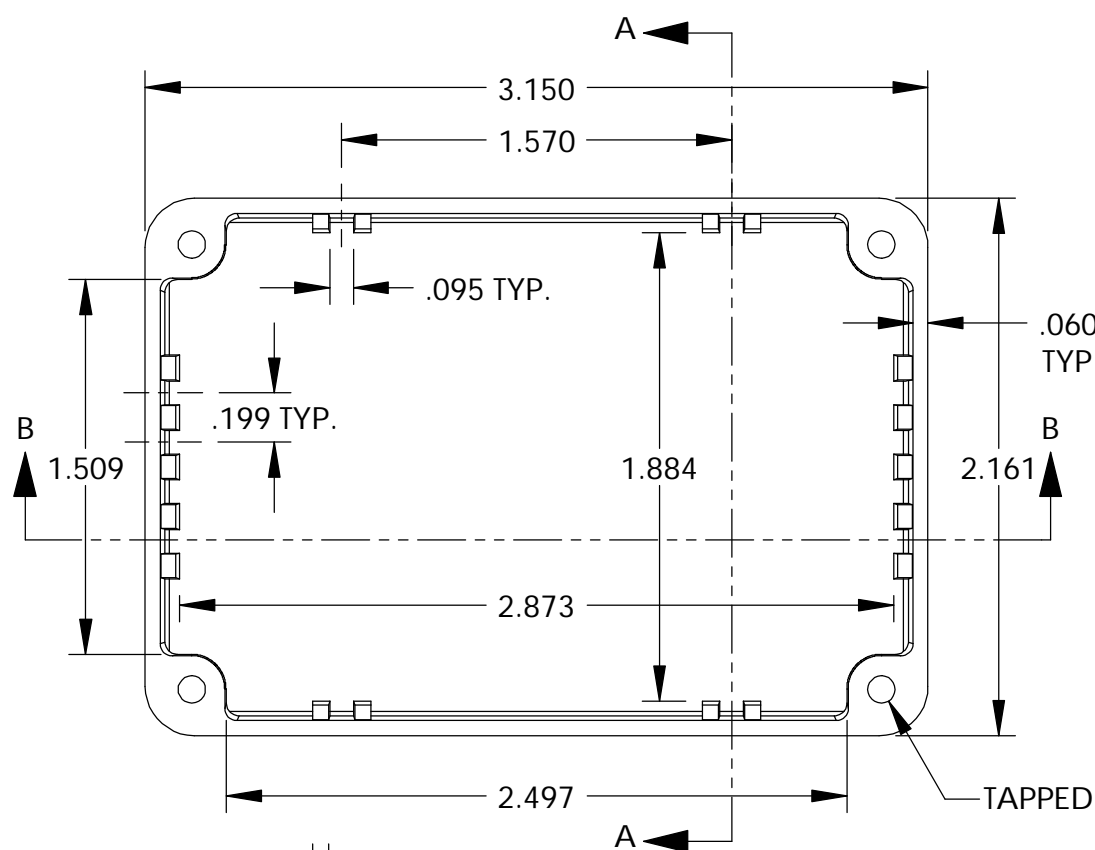
DWG. NO. CN-5701  
 ISSUE REVISIONS

MATERIAL - ALUMINUM ALLOY #ADC-12  
 FINISH - NATURAL (CONTACT BUD FACTORY FOR ALTERNATE FINISHES.)  
 GASKET - RATED IP65 NEOPRENE, SELF-ADHESIVE, 3mm THICK, COLOR BLACK  
 SCREWS - STAINLESS STEEL, M3.5 x 12mm LG., CSK. HEAD, SELF-THREADING

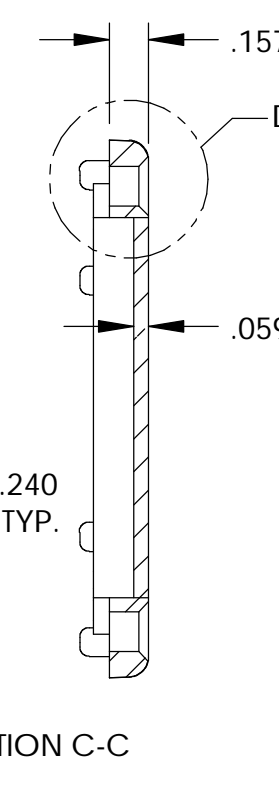
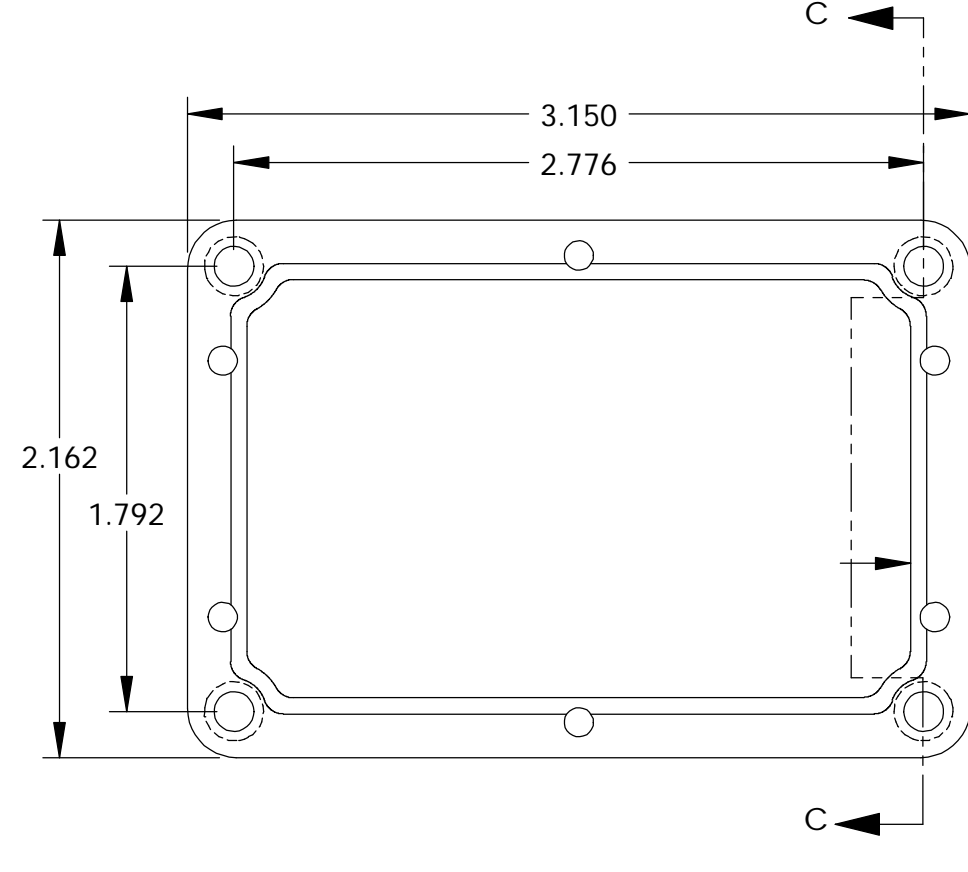
ALL HOLE DIAMETERS HAVE ±.005 TOLERANCE.  
 ALL OTHER DIMENSIONS HAVE ±.015 TOLERANCE.  
 ENCLOSURES ARE SHIPPED UNASSEMBLED WITH ALL ITEMS SHOWN.



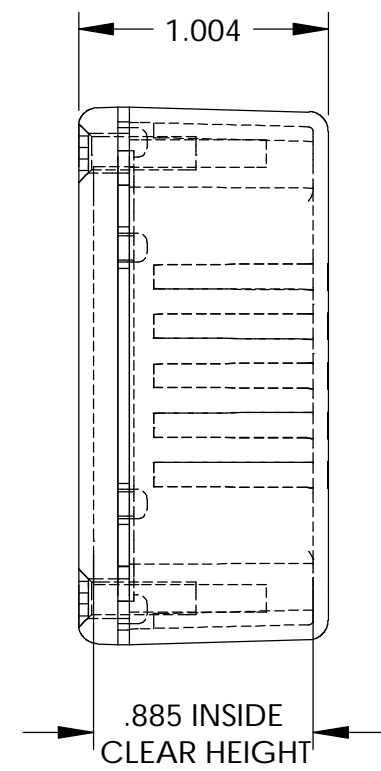
DETAIL D  
 SCALE 6 : 1



BODY



COVER



SECTION B-B

PARTS LIST

±.005 BETWEEN HOLE CENTERS	CAD GENERATED DRAWING. DO NOT MANUALLY UPDATE		<b>BUD INDUSTRIES INC.</b>
±.015 FROM SHEARED EDGE	APPROVALS	DATE	
±.032 FROM A BENT SURFACE	DRAWN	3-31-06	<b>DIE CAST ALUMINUM ENCLOSURE</b>
±.062 BETWEEN ASSEMBLED SURFACES	CHECKED		
UNLESS OTHERWISE SPECIFIED	APPROVED		
MATERIAL	AS NOTED		
FINISH	AS NOTED		

DWG. NO. CN-5701  
 SCALE CAD FILE: SHEET 1 OF 1

QTY.	USED ON	DO NOT SCALE DRAWING	REV.